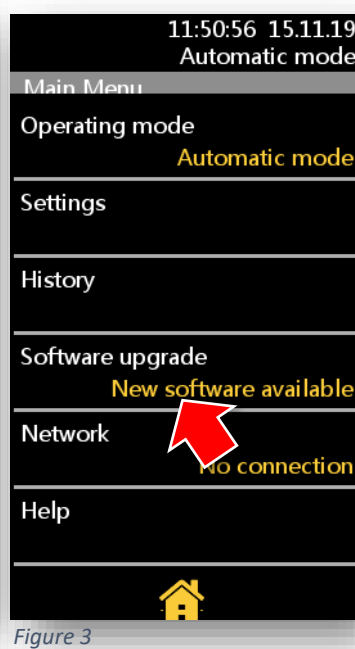
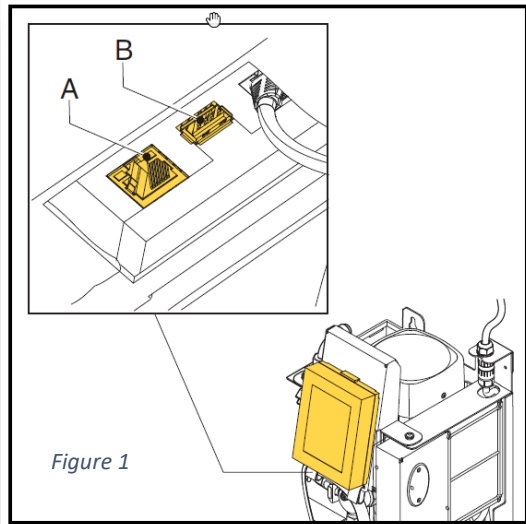


- Create a folder named *superior_frm* on a memory stick (control unit will search for this folder)
- Download the *SPRO_1_4.zip* file below and unzip the file in the *superior_frm* folder
- Insert USB memory stick in USB connection Brain ('B' on figure 1)
- Go to 'menu' (see figure 2)
- Go to 'Software upgrade' ('New software available'; see figure 3)
- Press 'Install' (see figure 4)
- Wait for upgrading (see figure 5)
- After upgrading is finished, unit will go to Home.
- Check Software version: this should be SPR0.1.4. (figure 6 and 7)



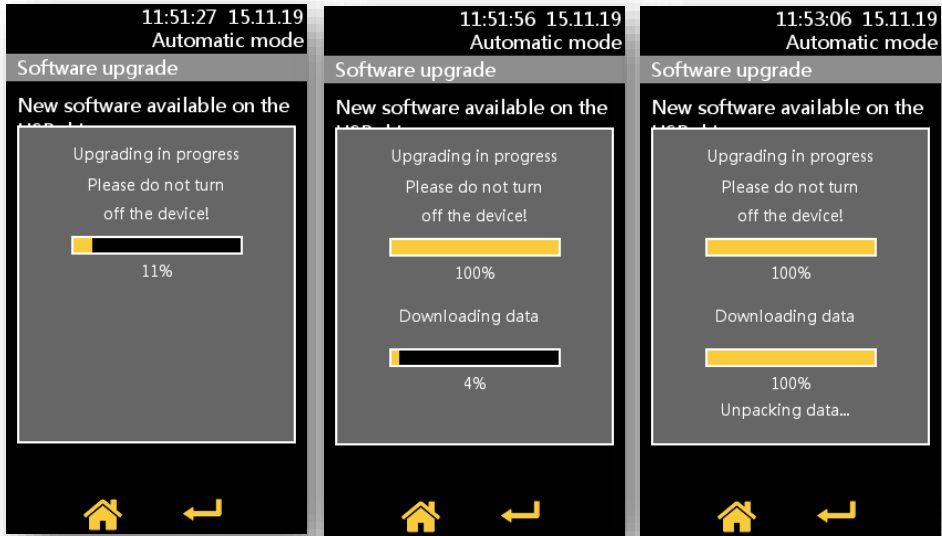


Figure 5



Figure 6



Figure 7